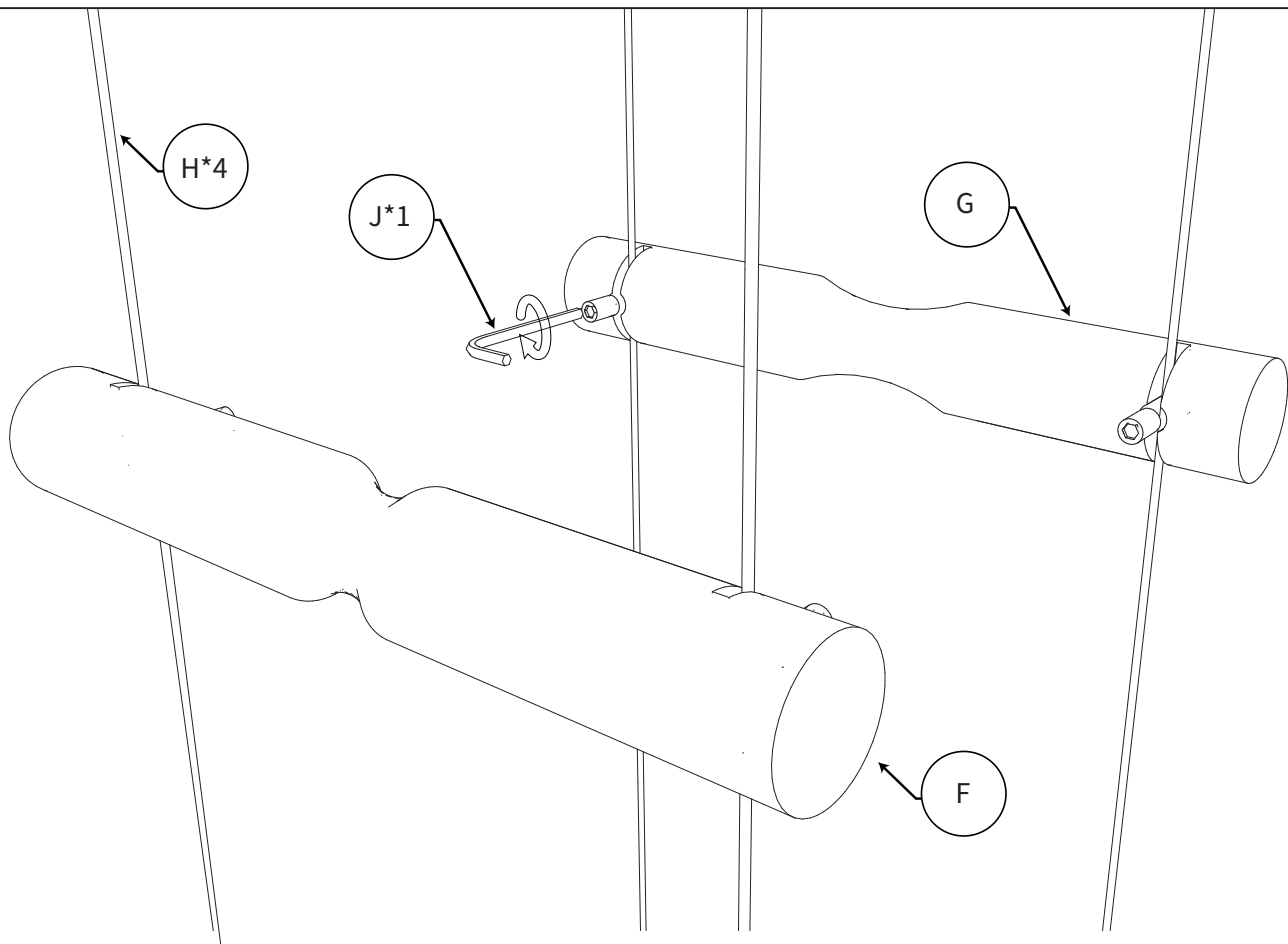
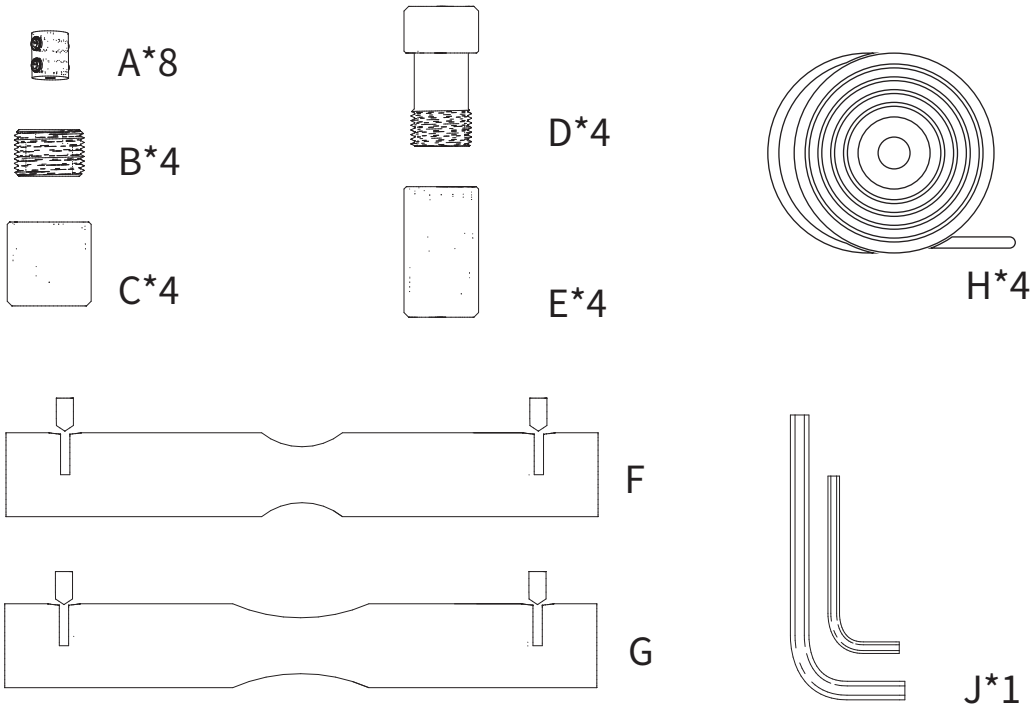


# Installation instructions

## Parts included



Note: Solid structural backing is required - 3/4" plywood is recommended.

